

INSTALLATION INSTRUCTIONS - MODEL 3-BOW 302022127-40" & 302022128-48" SUNSHADE FRAMES



General Information

IMPORTANT:

Read and understand all instructions before attempting to install this product.

Do not tighten hardware until instructed to do so.

Prepare Machine

Park machine on a firm and level surface. Lower all attachments if so equipped. Place transmission in neutral and set park brake. Open and inspect package to check for lost or damaged parts.

Installation

1. Insert two (2) 1/4" x 1 1/4" bolts in lower holes of 712613001. Lay on flat surface with threads up.
2. Apply two (2) rubber "O" rings on the tabs of 712613383. Place assembled trigger in bottom center hole of 712613001.
3. Place 712613183 over bottom bolts in 712613001 and then another 712613001 with two (2) 1/4" lock nuts.
(DO NOT FULLY TIGHTEN AT THIS TIME).
4. Repeat procedure for other side.
5. For 48" sunshade only assemble two (2) long bows and (1) short bow as shown.
6. Attach short bow 712612983 or assembled 711837683 & 711837783 to top opening of assembled sides using two (2) 1/4" x 1 1/4" bolts and lock nuts.
7. Insert two (2) long bows; 712612883 or assembled 7111837483 & 711837583 into hem of sunshade. (A dry lubricant can be used).
8. Attach assembled sunshade cover to front and back openings of sides using four (4) 1/4" x 1 1/4" bolts and lock nuts
(Note: Do not over tighten. Allow bolts to rotate).
9. TIGHTEN ALL OTHER BOLTS SECURELY.

40" Sun Shade Frame A= COVER

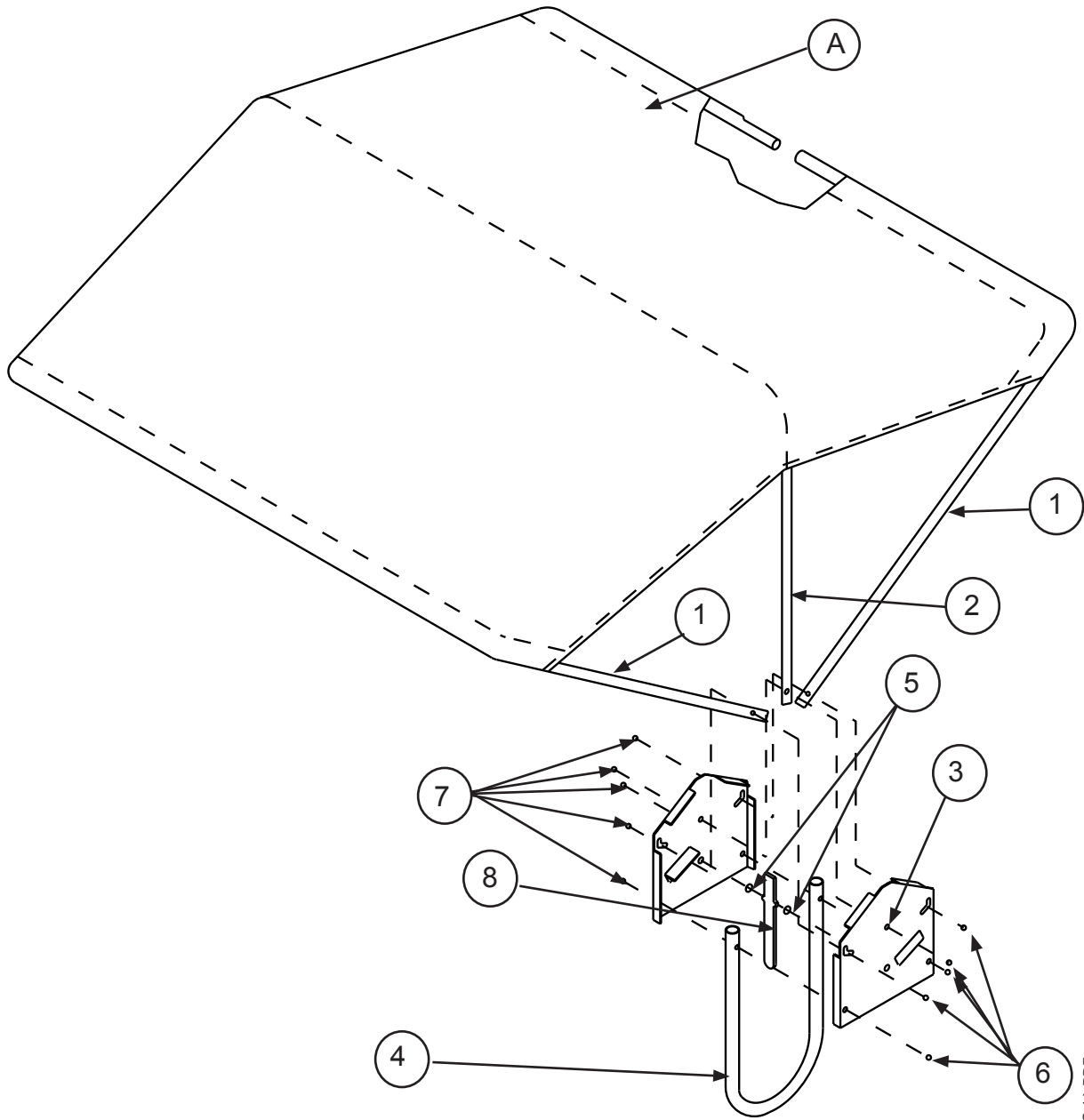
Item	Part Number	Description	Note
1	712612883	BOW SS-29	
2	712612983	BOW CENTER SS-30	
3	712613001	BRACKET BOW END SS-31	
4	712613183	ARM SS-32	
5	202750800	RUBBER "O" RING	
6	292022983	BOLT HHCS 1/4-20 x 1.25" GR5	
7	292506483	NUT HXCL 1/4-20	
8	712613383	TRIGGER SS-34	

203047400_PART_LIST_40.PDF

48" Sun Shade Frame A= COVER

Item	Part Number	Description	Note
1	711837483	BOW FRONT/BACK MALE	
	711837583	BOW FRONT/BACK FEMALE	
2	711837683	BOW MIDDLE MALE	
	711837783	BOW MIDDLE FEMALE	Not Shown
3	712613001	BRACKET BOW END SS-31	
4	712613183	ARM SS-32	
5	202750800	RUBBER "O" RING	
6	292022983	BOLT HHCS 1/4-20 x 1.25" GR5	
7	292506483	NUT HXCL 1/4-20	
8	712613383	TRIGGER SS-34	

203047400_PART_LIST_48.PDF



21272128_FIG.1A.PDF

All information, illustrations and specifications in this manual are based on the latest information available at the time of publication. The right is reserved to make changes at any time without notice.



1132 W. 1ST STREET
 McPherson, Kansas 67460
 1-800-677-0898 1-620-241-3513
 Fax 1-620-241-3532
 www.femcomfg.com