

INSTALLATION INSTRUCTIONS

FOR

#1460 HINSON-FEMCO WEATHER BRAKE

FITS ROW CROP: WHITE 2-70, OLIVER & COCKSHUTT 1550, 1555, 1600, 1650 & 1655, MINN MOLINE G550, G750 (STANDARD & FUEL TOP FENDERS)

Listed below are the special parts required for the proper installation of the 1460 Hinson-Femco Weather Brake. Carefully study the photo diagrams showing the location of each part. Follow the various steps numerically. Each part has Part Number stamped on it.

- | | | |
|--|---------------------------------|--|
| 1 - #712593101 Saddle (V-31) | 1 - #712103301 Yoke (A-34) | 1 - #710399601 Door Latch (K-122) |
| 1 - #712593201 Door Post (V-32) | 1 - #712239401 Side Arm (H-297) | 1 - #712191401 Alternator Guard (V-63) |
| 1 - #712387701 Mounting Bracket (K-77) | 1 - #720715204 Door | 1 - #712192201 Exhaust Guard (V-71) |
| 1 - #712593401 Door Post Brace (V-34) | | 1 - #712584901 Exhaust Guard Top
Clamp (U-49) |

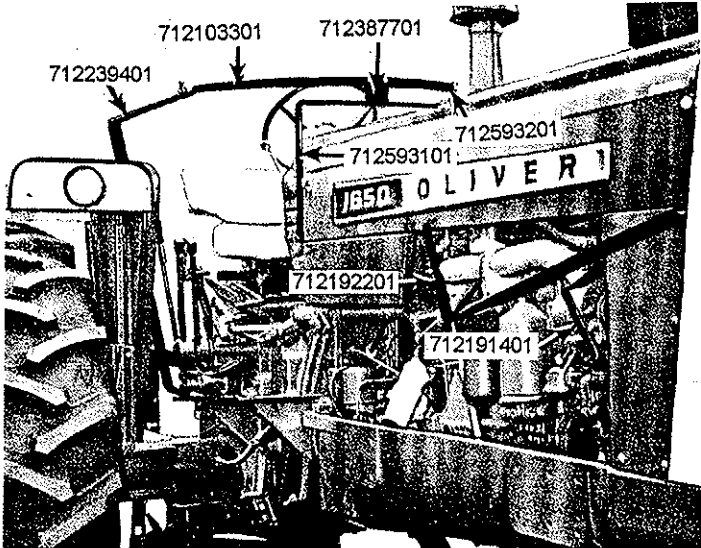


FIGURE 1

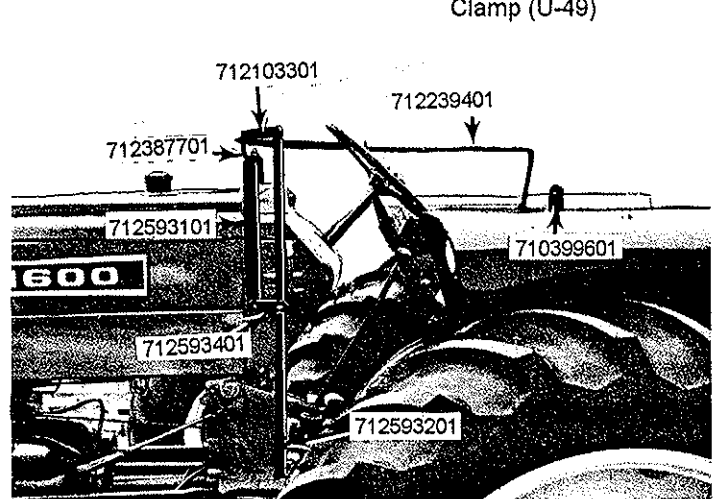


FIGURE 2

1. Bolt #712191401 alternator guard to alternator using 5/16" x 3/4" hex head bolt and nut. Bend guard forward or back so it prevents rotating wheel from cutting vinyl. See Figure 4.
2. Bolt #712192201 exhaust guard to front of tractor using bolt in tractor. Then bolt #712584901 clamp to exhaust guard and over sheet metal of tractor using 5/16" x 1 1/2" hex head bolt and nut. See Figure 4.
3. Bolt #712593101 saddle to tractor by removing 3/8" bolts from tractor. Use 3/8" x 1 1/2" bolts furnished. On left side bolt #712593401 door post brace to tractor at same time. See Figures 2 & 3.
4. Bolt #712387701 mounting bracket to saddle using 5/16" x 3/4" hex head bolts and nuts. See Figures 1 & 2.
5. Bolt bottom of #712593201 door post to platform using bolt in tractor. See Figures 2 & 3.

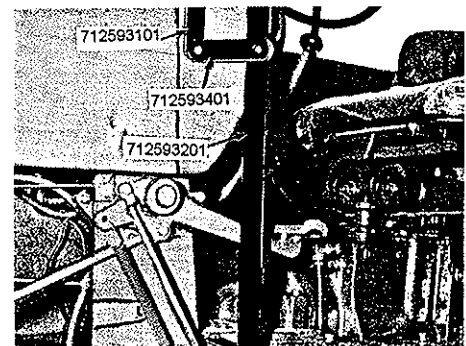


FIGURE 3

6. Place cover over tractor, slide the wide hem on left side over the door post.
7. Insert the #712239401 side arm in wide hem at right rear of vinyl. Bolt lower end to platform. (Hole in platform has to be made large enough for 3/8" x 1 1/2" bolt). See Figures 1 & 2.
8. Insert yoke in top hem of cover. Bolt yoke to mounting bracket using 1/4" x 3/4" flat head bolts. Bolt door post to yoke and door post brace with 1/4" x 1" bolts and nuts. Bolt side arms to yoke with 3/8" x 1 1/2" hex head bolt and nut. See Figures 1, 2 & 3.
9. Straighten cover and tie to adjust all straps and springs for a proper fit.

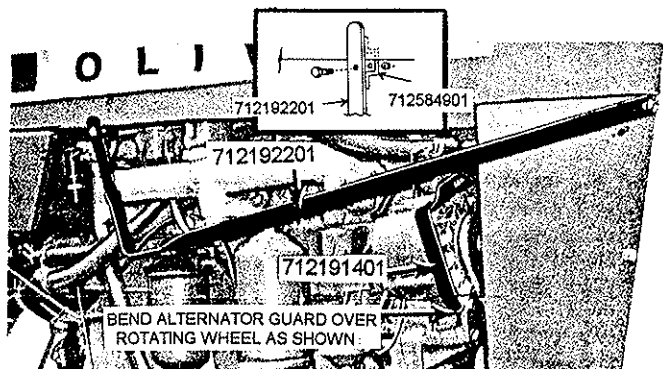


FIGURE 4

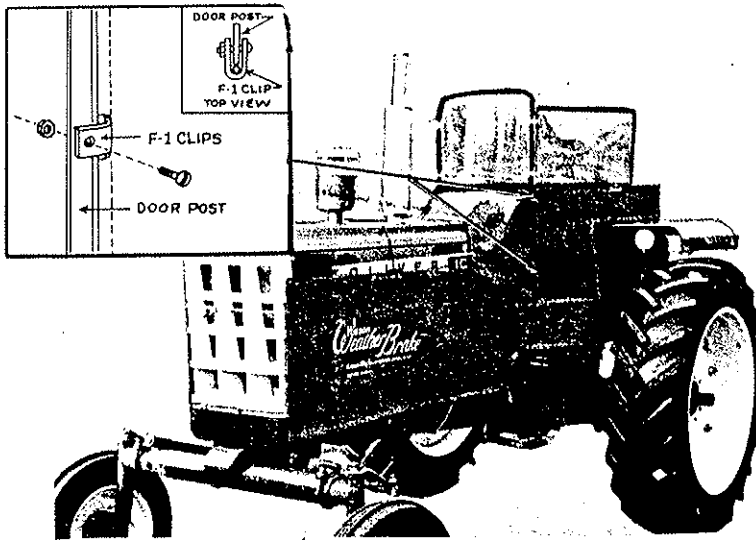
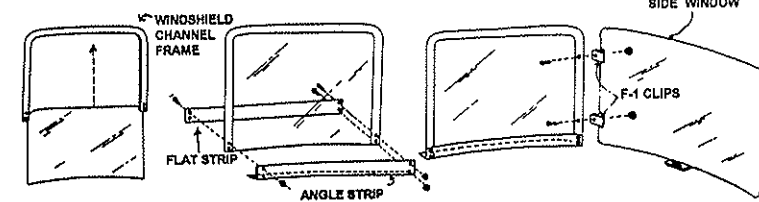


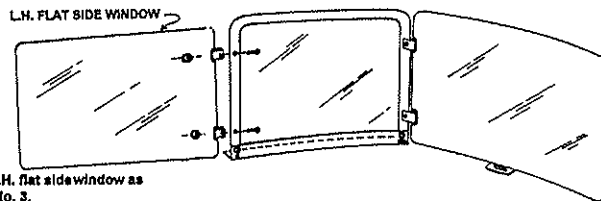
FIGURE 5

WINDSHIELD ASSEMBLY INSTRUCTIONS

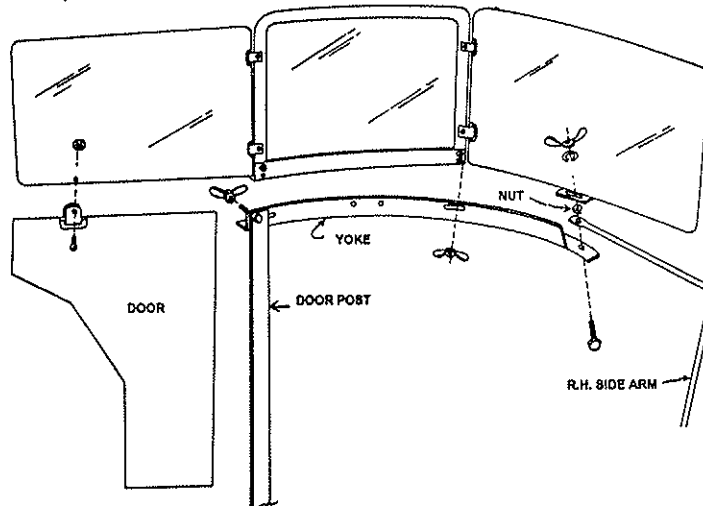
1252
1258
1283



1. Slide glass in channel of windshield frame.
2. Assemble flat strip and angle strip to windshield channel using two 3/16" x 1/2" bolts in top holes and 1/4" x 1" bolts in lower holes. Tighten nuts.
3. Cuts slots in vinyl as shown in picture, insert F-1 clips in slots of R.H. curved side window. Secure this assembly to windshield channel frame with 3/16" x 3/4" bolts.



4. Install L.H. flat side window as in step No. 3.



5. Place windshield assembly on yoke so bolt in lower right hand corner of windshield fits into slot in yoke. Place hole in lower left corner over bolt in top of door post. Secure with wing nuts.
6. Secure right side window to rear edge of yoke as shown using flatlock washer and nut.
7. Insert F-1 clip in cut out in top of door, punch hole through canvas in L.H. flat side window as shown. Secure with 3/16" x 3/4" bolt.

FEMCO, Inc.

GENERAL OFFICES
500 North 81 By-Pass
P.O. Box 1186
McPherson, Kansas 67460
Phone: 1-316-241-3513
FAX: 1-316-241-3532
Toll Free: 1-800-677-0898

Subsidiaries
HINSON-FEMCO
JANTZ-FEMCO
FEMCO PLASTICS
AMERICAN PRIDE
GOLF PRODUCTS