

INSTALLATION INSTRUCTIONS

FOR

#1372 HINSON-FEMCO WEATHER BRAKE

FITS MASSEY FERGUSON 180 ROW CROP (UPRIGHT EXHAUST FRONT OF MANIFOLD) (GAS OR DIESEL)

Listed below are the special parts required for the proper installation of the 1372 Hinson-Femco Weather Brake. Carefully study the photo diagrams showing the location of each part. Follow the various steps numerically. Each part has Part Number stamped on it.

1 - #712106001 Yoke (A-61)

1 - #712110901 Side Arm (B-9)

1 - #712569901 Saddle (S-99)

2 - #712564601 Saddle Braces (S-114)

1 - #712609601 Mounting Bracket (S-115)

1 - #712609701 Door Post (S-116)

1 - #720756505 Door (S-118)

1 - #712560801 Door Latch (S-103)

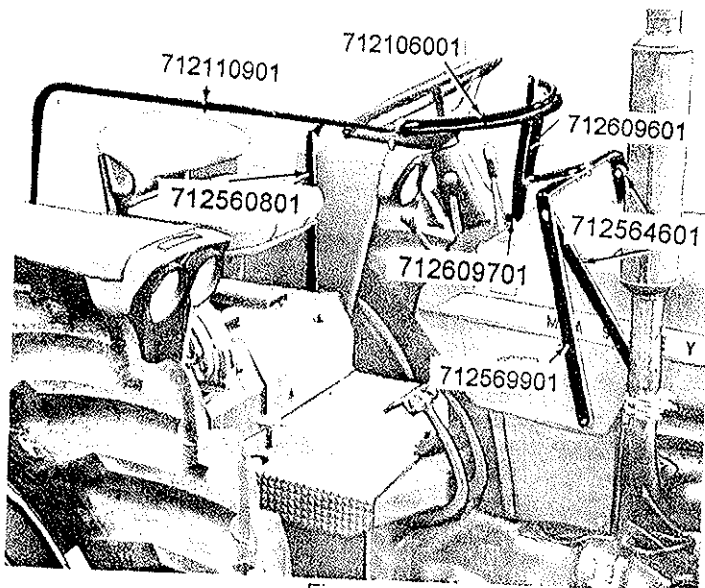


Figure 1

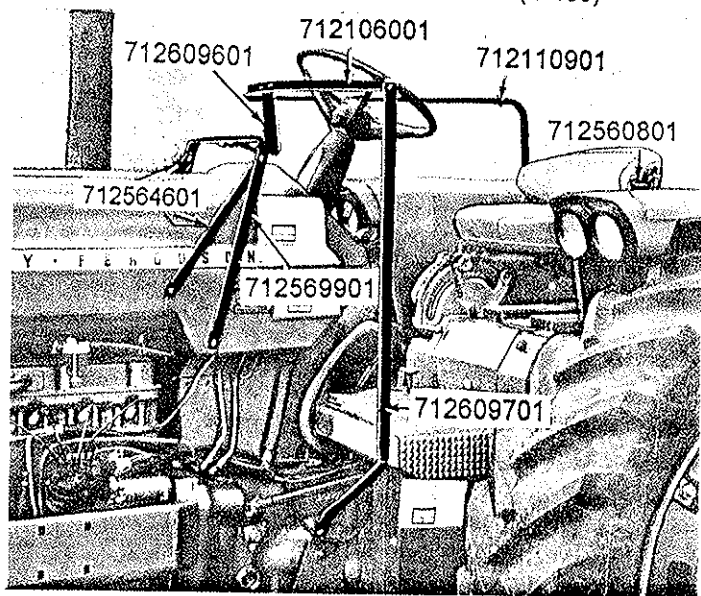


Figure 2

1. Bolt #712609601 mounting bracket to #712569901 saddle using 5/16" x 3/4" bolts and nuts. See Figures 1 & 2.
2. Bolt saddle to tractor using 1/4" x 1" bolts. Bolt #712564601 saddle braces to tractor and saddle using 1/4" x 1" bolts. See Figures 1 & 2.
3. Thread the #712110901 side arm into wide hem on right side of vinyl. Insert #712106001 yoke in front top hem. Bolt yoke and side arm together using 3/8" x 1 1/2" bolt and nut. See Figures 1 & 2.

4. Place vinyl over tractor and bolt yoke to mounting bracket using 1/4" x 3/4" flat head bolts. Bolt bottom of side arm to fender using 1/2" x 1 1/4" bolt and nut. See Figures 1 & 3.
5. Slide door post into wide hem on left side. Bolt top to yoke using 1/4" x 1" bolt and nut. Bolt bottom to tractor with bolt in tractor. See Figure 2.
6. Straighten vinyl and tie to adjust all straps and springs for a proper fit. If gas model, remove back rip off patch as shown in Figure 4. For diesel models remove front patch.

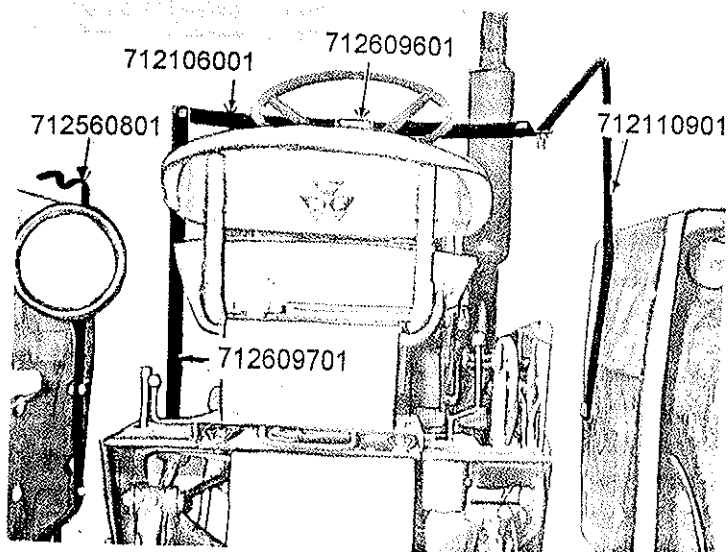


Figure 3

7. Attach door to door post using F-1 clips and 3/16" x 3/4" bolts and nuts. Tie door flap to main cover. See Figure 5.
8. Bolt #712560801 door latch to left fender using 1/2" x 1 1/4" bolts and nuts. Use top and second from bottom holes in latch. See Figure 3.

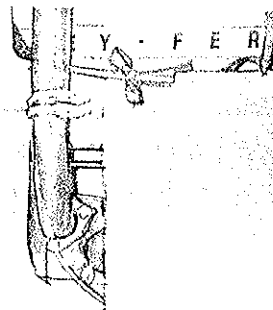


Figure 4

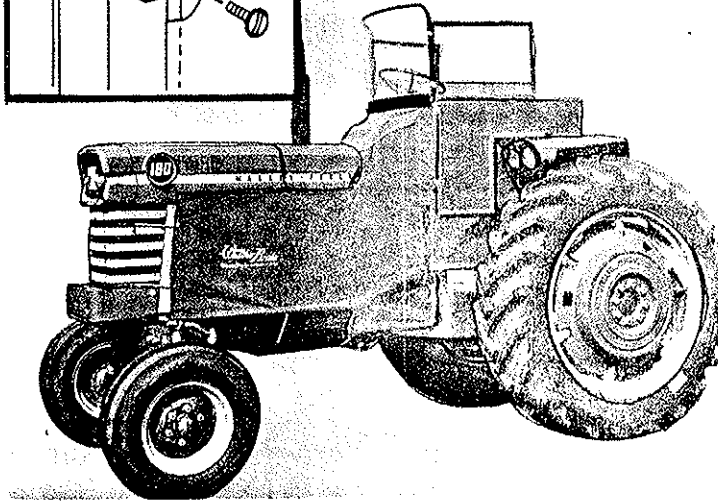
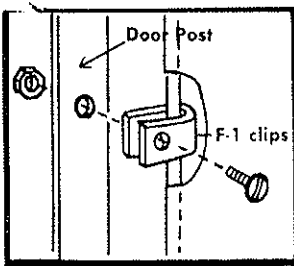
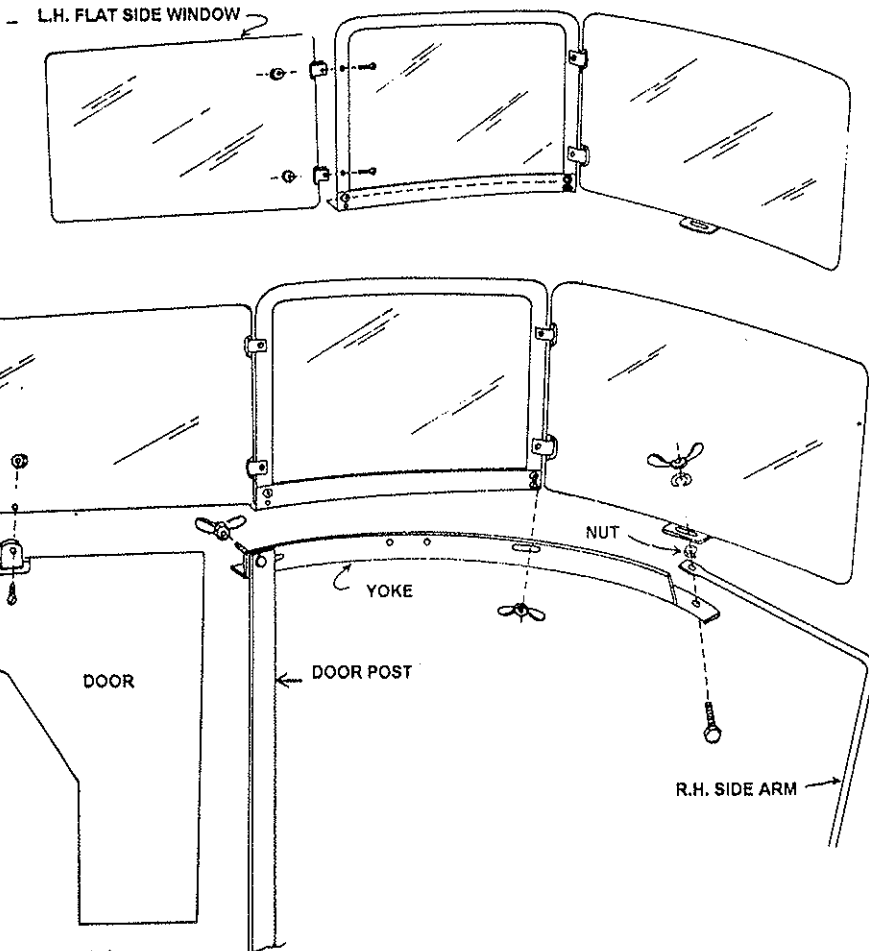
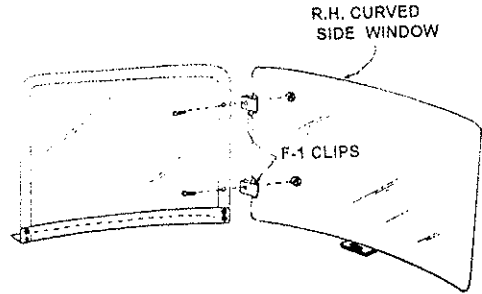
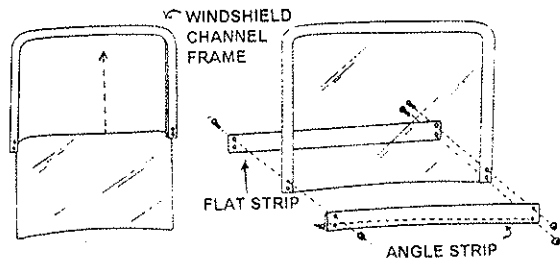


Figure 5

WINDSHIELD ASSEMBLY INSTRUCTIONS



1. Slide glass in channel of windshield frame.
2. Assemble flat strip and angle strip to windshield channel using two $3/16"$ x $1/2"$ bolts in top holes and $1/4"$ x $1"$ bolts in lower holes. Tighten nuts.
3. Cut slots in vinyl as shown in picture, insert F-1 clips in slots of R.H. curved side window. Secure this assembly to windshield channel frame with $3/16"$ x $3/4"$ bolts.
4. Install L.H. flat side window as in step No. 3.
5. Place windshield assembly on yoke so bolt in lower right hand corner of windshield fits into slot in yoke. Place hole in lower left corner over bolt in top of door post. Secure with wing nuts.
6. Secure right side window to rear edge of yoke as shown using flat lock washer and nut.
7. Insert F-1 clip in cut out in top of door, punch hole through canvas in L.H. flat side window as shown. Secure with $3/16"$ X $3/4"$ bolt.

FEMCO, Inc.

GENERAL OFFICES
 500 North 81 By-Pass
 P.O. Box 1186
 McPherson, Kansas 67460
 Phone: 1-316-241-3513
 FAX: 1-316-241-3532
 Toll Free: 1-800-677-0898

Subsidiaries
 HINSON-FEMCO
 JANTZ-FEMCO
 FEMCO PLASTICS
 AMERICAN PRIDE
 GOLF PRODUCTS