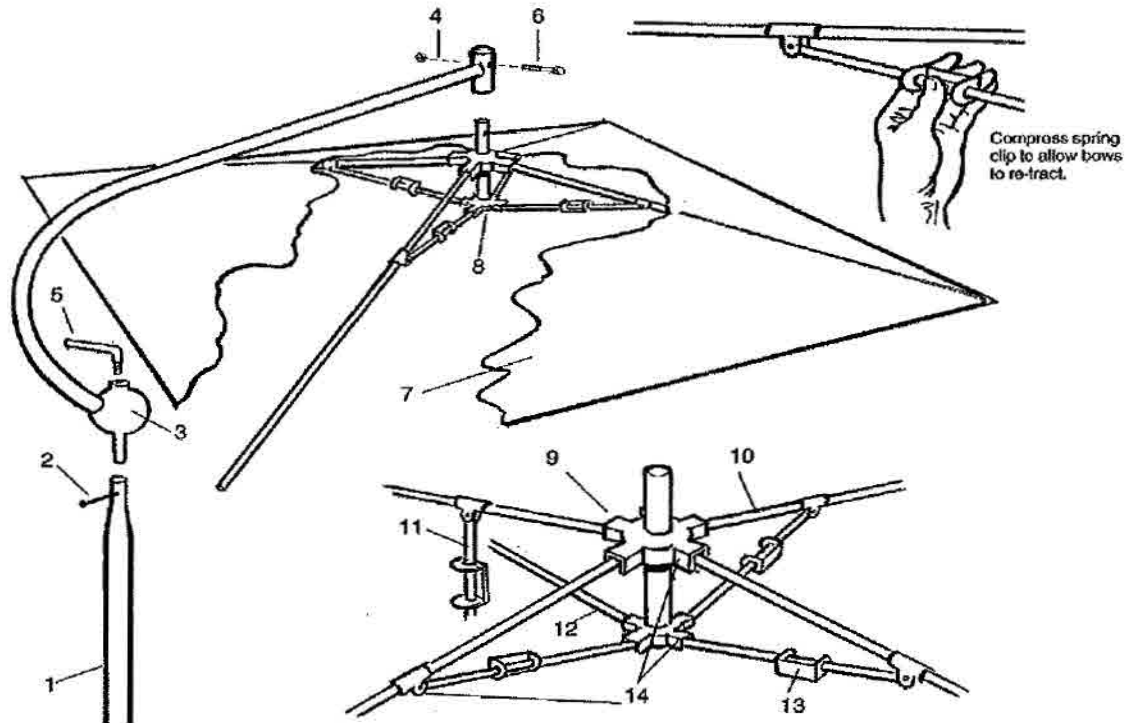




# Snowco

## ASSEMBLY INSTRUCTIONS AND REPAIR PARTS LIST FOR TU-46 TRACTOR UMBRELLA



### Parts List Snowco Lawn & Grounds Care Equipment Umbrella

Ill. No.	HammerBlow/ Snowco Part No.	Description	Qty.
1	405060	Umbrella Support Shaft	1
2	491115	3/16" c 1" Spiral Spring Pin	1
3	405381	Curved Shaft	1
4	491313	1/4" Lock Nut	1
5	405129	Swivel Ball Locking Handle	1
6	490008	1/4" - 1 1/2" Bolt	1
7		Canvas Cover	1
8	405394	Umbrella Frame Assembly	1
9	405132	Umbrella Center Tub with Spiders	1
10	405424	Umbrella Bow with Clevis	4
11	405134	Push Rod Tube	4
12	405135	Push Rod	4
13	405140	Push Rod Locking Spring Clip	4
14	491176	Rivet, Push Rod	12

### Assembly Instructions

- Install umbrella mounting bracket (see bracket mounting instructions on reverse side).
- Insert ball stud on #3 curved shaft with adjusting swivel ball into #1 umbrella support shaft, align hole, and drive #2 3/16" x 1" spiral spring pin into position. Install #5 swivel ball locking handle.
- Place #7 canvas cover over #8 umbrella frame assembly and hook corners to bows.
- Insert #8 umbrella frame assembly with canvas in place into tube on #3 curved shaft with adjusting swivel ball and install #6 umbrella frame locking set screw and tighten.
- Install complete umbrella into clamp on umbrella mounting bracket.

**Note:** Each bow may be raised individually until locked into open position. Each bow has two positions in which it can be locked open. This is allowed for any stretch in canvas.

\* Part Number varies with color.

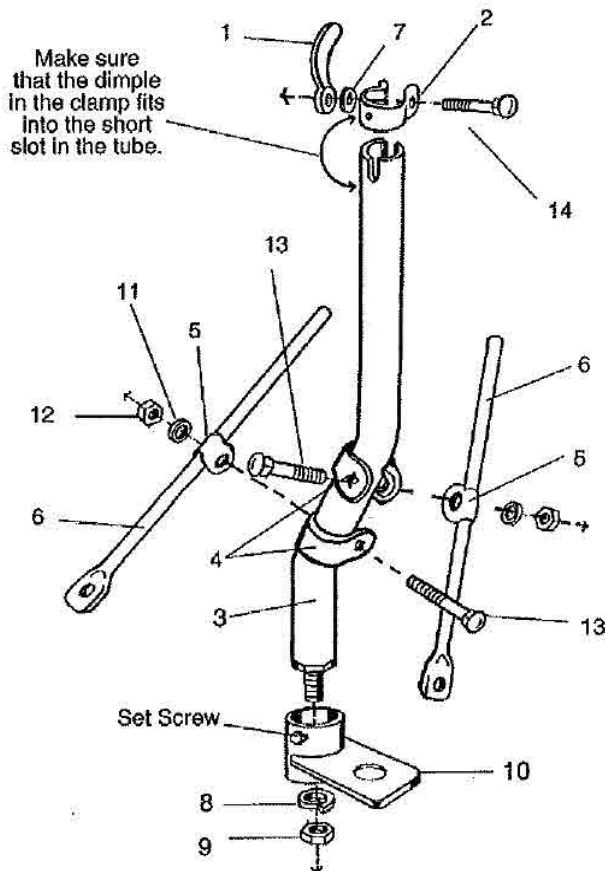
DISTRIBUTED BY  
**FEMCO, Inc.**

GENERAL OFFICES  
1132 W. 1st Street  
McPherson, KS 67460  
Phone: 1-800-677-0898  
Fax: 620-241-3532



# Snowco

1132 W. 1st Street  
McPherson, KS 67460  
Phone: (620) 241-3513  
Fax: (620) 241-3532  
Toll Free: 1-800-677-0898



## Parts List- UB38 Umbrella Bracket

Ill. No.	HammerBlow Snowco Part No.	Description	Qty.
1	405201	Locking Handle	1
2	405202	Dimpled Body Tube Clamp	1
3	405240	Offset Body Tube	1
4	405204	Plain Body Tube Clamp	2
5	405205	Rod Clamp	2
6	405046	Brace Rod	2
7	491061	Flat Washer	1
8	405146	1/2" Lock Washer	1
9	491004	1/2" Nut	1
10	405333	Draw Bar Extension	1
11	491071	3/8" Lock Washer	2
12	491003	3/8" Nut	2
13	490212	Bolt, 3/8" x 2 1/2"	2
14	490210	Bolt, 3/8" x 2"	1

## Mounting Instructions

1. Slide the draw bar extension #10 over the bottom of the offset body tube #3.
2. Install the offset body tube #3 to the hitch mounting hole in the tractor draw bar with the 1/2" nut #9 and lock washer #8 (do not fully tighten nut at this time).
3. Install the brace rods #6 to the existing holes in the rear of the tractor frame that provide the best support, (do not tighten the tube clamps #4 at this time).
4. Adjust the offset body tube #3 to vertical position and tighten the 1/2" nut #9 and the body tube clamps #4.
5. Tighten the set screw in the draw bar extension #10 to keep the extension from pivoting or sliding up and down when used with a towed accessory.
6. The UB38 bracket is now ready for the insertion of the umbrella support shaft.

